

## 特点 Features

### 蓄电池及充电机 Batteries and chargers

- 标准配置垂直更换电池。可选左侧或右侧侧面更换电池
- 电池容量从180Ah到620Ah 可选
- 侧面更换电池选项的电池锁定装置，可以将电池保护在电池箱内，而且方便更换

### 交流电机 AC motor

- 强劲平稳的3KW驱动电机
- 满载爬坡能力13%
- 斜坡启动不下滑
- 满载与空载最大行驶速度10Km/h
- 有力的加速度，5秒钟内达到最高行驶速度
- 封闭的电机可以防止湿气与灰尘进入，完全免维护

## 标准配置 Standard Equipment

- 带护板的安全驾驶空间
- 单手控制的易驾舵柄
- 交流电机
- 橡胶驱动轮
- 聚氨酯稳定轮
- 聚氨酯双承载轮
- 自动制动
- 喇叭
- 标准电池规格: 24V/3PzS/330AH, 充电机: E24/50P
- 货叉规格: 560mm(宽)x1150mm(长)
- 启动钥匙开关
- 零下10°低温保护
- 带比例控制的电子转向
- 根据负载比例调节的电磁紧急制动
- 电子控制主动式悬挂系统

## 可选配置 Optional Equipment

- 可选货叉尺寸
- 驱动轮: 聚氨酯、无痕橡胶或防滑轮胎
- 挡货架
- 可移动的/固定的电池架(侧面更换电池)
- 低温保护至零下35°C

## 可根据客户要求加装其他配置 Other Options Available on Request

- Vertical battery change as standard, optionally side battery change left or right
- Wide range of batteries from 180Ah to 620 Ah
- Battery locking system for side change option secures battery in compartment and eases the battery change

- Powerful, smooth-running motor, 3KW
- Gradeability 13% with coat
- No rollback on uphill starting
- Top speed 10 km/h, loaded as unloaded
- Forceful acceleration takes truck to top speed within 5 metres
- Moisture and dust-proof motor needs no maintenance

- Safe operator's compartment with shielded cockpit
- Drive control e-driver operated with only one hand
- AC motor
- Rubber drive wheel
- Polyurethane castor wheels
- Polyurethane tandem load wheels
- Automatic braking
- Horn
- Battery 24V/3PzS/330AH Charger E24/50P
- Fork width across 560mm, length 1150mm
- Key switch
- Protection -10°C
- Proportional power assisted steering with positive steering feedback
- Electromagnetic emergency brake proportional to load transported
- Hydraulically suspended and electronically controlled stabilisers

- Alternative fork dimensions
- Drive wheels: polyurethane, cushion non-marking or wet grip
- Load backrest
- Mobile and fixed battery stands (for side battery change)
- Cold store version -35°C



## 站驾式电动托盘搬运叉车 T20SP Stand-on Electric Pallet Truck 2000kg

1158

Linde Material Handling 林德叉车



### 安全性 Safety

坚固的护板环绕在司机周围，有效的避免了碰撞可能造成的伤害，裙边保护保证叉车本身以及司机的腿部免受撞击。在任何时刻都能保证司机的身体处在叉车保护范围内。The sturdy steel cockpit enclosure keeps the operator safe from shock and impact throughout the working day. The skirt surrounding the platform prevents damage to the truck or injury to legs and feet by intrusion of other forked vehicles. At no time is the operator's body exposed beyond the contours of the truck.

### 高性能 Performance

T20SP配备了3KW的交流电机和主动的稳定轮。更强的加速度、更快的行驶速度和有效的制动使它在完成各种任务时都表现出色。Its performance is based on a powerful 3 KW AC motor and active castor wheels. Forceful acceleration, high travel speed and efficient brakes add up to productivity in service at any duty level.

### 舒适性 Comfort

与行驶方向成45°角的驾驶方式提供了叉车操作最理想的全景视野，无论是前进或者后退，司机都能保持良好的视野。The ergonomic 45° angle driving position opens up entirely new perspectives by keeping the working environment in good view traveling either forwards or in reverse.

## 特点 Features

### 舒适安全的电子转向 Power steering for comfort and safety

- 带比例控制的电子转向，可以自动对中，容易操作
- 灵敏的转向反馈，使其在改变行驶方向时也可以具有极佳的稳定性
- 转弯自动减速

- Proportional power-assisted steering, self-centering and effortless to operate
- Adjustable steering (drive wheel) feedback resulting in outstanding stability
- Automatic speed reduction when cornering



### 驾驶系统 Total drive system

- 电子控制的主动悬挂系统保证了此款叉车良好的稳定性
- 松开行驶按钮后实现自动制动
- 方便操控的反向电流制动
- 按下电源隔离开关实现电磁制动，作用力的大小根据负载比例自动调整

- Electronically controlled hydraulic-suspension active castor wheels provide superb stability and traction when transporting pallet loads
- Automatic braking on releasing the travel switch
- Well controllable countercurrent braking
- Electromagnetic braking initiated by the emergency stop button acts on the drive motor, proportional to the load carried.

### 可靠性 Reliability

林德T20SP坚固的车体，使叉车运行更可靠。每根货叉均可负载2吨的货物而不变形。倾斜货叉尖、狭窄的货叉宽度使其可以平滑的进入闭式托盘。这些特点使其具有更长的工作寿命，且能更安全高效地进行搬运工作。Rugged construction makes this truck reliable. Each fork tip supports a load of 2,000kg without bending. Smooth entry of the forks into closed pallets is assisted by the ramped tip shape, lead-in and narrow width. Features that contribute to considerably longer truck lifetime as well as fast, easy and safe load handling.

### 易维护 Service

通过售后工程师把笔记本电脑接入数据口，CAN-Bus系统可以把叉车的的功能全部读出。快速诊断、免维护的交流电机技术提高了叉车正常运行时间。CAN-Bus connectivity enables all truck data to be read out on a laptop computer by the service technician. Swift access to all components and maintenance-free AC technology play an additional part in keeping truck uptime up.

### CANBUS 数据总线 Linde operator compartment

- 用电脑对叉车进行快速诊断
- 所有的叉车参数都可由工程师设定，以实现在各种工况下都有最完美的表现

- Electronic management of components permitting quick and easy diagnosis
- All truck parameters can be configured by the service technician to achieve best performance in every application



### 完美的45度角驾驶位置 Ideal 45° driving position

- 无论前进或后退都有极好的视野
- 任何情况下都具有最佳的安全性
- 超乎寻常的稳定性，特别体现在转弯的时候

- Excellent view of environment driving in either forward or reverse direction
- Utmost safety in every situation
- Exceptional stability, especially when cornering



### 林德“易驾”舵柄 Linde "E-Driver"

- 符合人机工学的易驾舵柄可以实现司机的单手操作
- 所有控制功能都集中于易驾手柄上
- 与45°角驾驶位置完美搭配

- Ergonomic control handle allows one-hand operation
- All main control functions integrated in one handle
- Perfectly matched to 45° driving position



若有技术参数的改进，恕不另行通知。所示图表可能含非标准配置。  
"Subject to modification in the interests of progress, illustration and technical details not binding for actual constructions and may show the optional equipments."

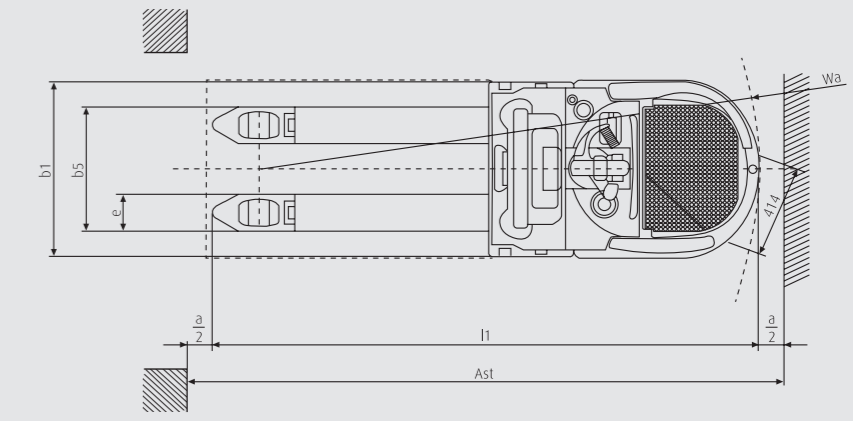
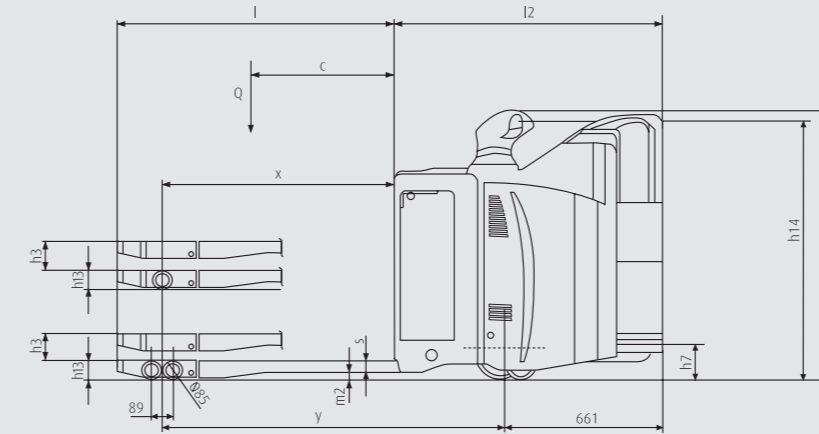
1158\_T20SP\_D-03\_2017.04



# 叉车技术参数 Technical Data

特性 Characteristics	1.1	制造厂商	Manufacturer	Linde	
	1.2	型号	Model designation	T20SP	
	1.3	动力	Power unit	蓄电池 Battery	
	1.4	驾驶方式	Operation	站驾式 Stand-on	
	1.5	额定承载能力	Load capacity	Q(kg)	2000
	1.6	载荷中心距	Load centre	c(mm)	600
	1.8	前悬距(货叉提升/下降)	Axle centre to fork face (fork raised/lowered)	x(mm)	895/962
	1.9	轴距(货叉提升/下降)	Wheelbase (fork raised/lowered)	y(mm)	1431/1497
	重量 Weights	2.1	自重	Service weight (with battery item 6.5)	kg
2.2		满载时的桥负荷, 驱动侧/承重侧	Axle load with load, drive/load side	kg	1164/1733
2.3		空载时的桥负荷, 驱动侧/承重侧	Axle load without load drive/load side	kg	740/157
轮胎 Wheels	3.1	轮胎, 驱动侧/承重侧: 橡胶实心胎, 聚氨酯胎	Tyre, operator/load side: Rubber (R), polyurethane (PU)		R+P/P
	3.2	轮胎尺寸, 驱动侧	Tyre size, drive side	mm	φ 254 x 102
	3.3	轮胎尺寸, 承重侧	Tyre size, load side	mm	φ 85 x 105
	3.4	稳定轮尺寸	Auxiliary wheel, size	mm	φ 125 x 60
	3.5	车轮数量, 驱动侧/承重侧 (x=驱动轮)	Wheels number, drive/load side (x=driven)		1x+2/4
	3.6	轮距, 驱动侧	Track width, drive side	mm	544
	3.7	轮距, 承重侧	Track width, load side	mm	355/395/515
尺寸 Dimensions	4.4	提升高度	Lift	h <sub>3</sub> (mm)	125
	4.8	驾驶站板高度(打开时)	Height of driving platform (low position)	h <sub>7</sub> (mm)	160
	4.9	作业时手柄高度	Height of tiller am in operation position	h <sub>14</sub> (mm)	1160
	4.15	下降后货叉距地高度	Fork height, lowered	h <sub>13</sub> (mm)	85
	4.19	总体长度	Overall length	l <sub>1</sub> (mm)	2346
	4.20	车体长度(不含货叉)	Length to fork face	l <sub>2</sub> (mm)	1196
	4.21	车体宽度	Overall width	b <sub>1</sub> (mm)	790
	4.22	货叉尺寸	Fork dimensions	s/e/l(mm)	55 x 165 x 1150
	4.25	过货叉距离(最小/最大)	Fork spread	b <sub>5</sub> (mm)	520/560/680
	4.32	轴距中心距地间隙	Ground clearance, center of wheelbase min./max.	m <sub>2</sub> (mm)	30/155
	4.33	直角堆垛通道宽度, 托盘1000x1200(1200跨货叉放置)	Aisle width, 1000x1200mm pallet crosswise	Ast(mm)	2395
4.34	直角堆垛通道宽度, 托盘800x1200(1200沿货叉放置)	Aisle width, 800x1200mm pallet lengthwise	Ast(mm)	2595	
4.35	转弯半径(货叉提升)	Turning radius (fork raised)	Wa(mm)	2090	
性能 Performances	5.1	行驶速度, 满/空载	Travel speed, with/without load	km/h	10.0/10.0
	5.2	提升速度, 满/空载	Lift speed, with/without load	m/s	0.036/0.043
	5.3	下降速度, 满/空载	Lower speed, with/without load	m/s	0.064/0.060
	5.8	最大爬坡能力, 满/空载	Max. Climbing ability, with/without load	%	13/20
	5.10	行车制动	Service brake		电磁 Electro-magnetic
驱动 Drive	6.1	驱动电机功率(60分钟)	Drive motor output (60 min.rating)	kw	3.0
	6.2	提升电机功率, 15%功率	Lift motor output (15% rating)	kw	1.2
	6.3	蓄电池, 根据DIN标准	Battery according to DIN 43 531/35/36A,B,C,no		DIN 43535 B
	6.4	蓄电池电压/额定容量(5小时放电量)	Battery voltage/rated capacity (5h)	V/Ah	24/345
	6.5	电池重量(+5%)	Battery weight	kg	297
其他 Others	8.1	驱动控制方式	Type of Drive control		LAC variator
	8.4	驾驶员耳边噪音水平	Sound level at driver's ear	dB(A)	<70
		标准车型的数据, 根据配置的不同会有所变化	Figure for standard truck version may vary according to equipment		

# T20SP



Ast=Wa-x+l6+a  
安全距离 a=200mm  
safety distance a=200mm

